



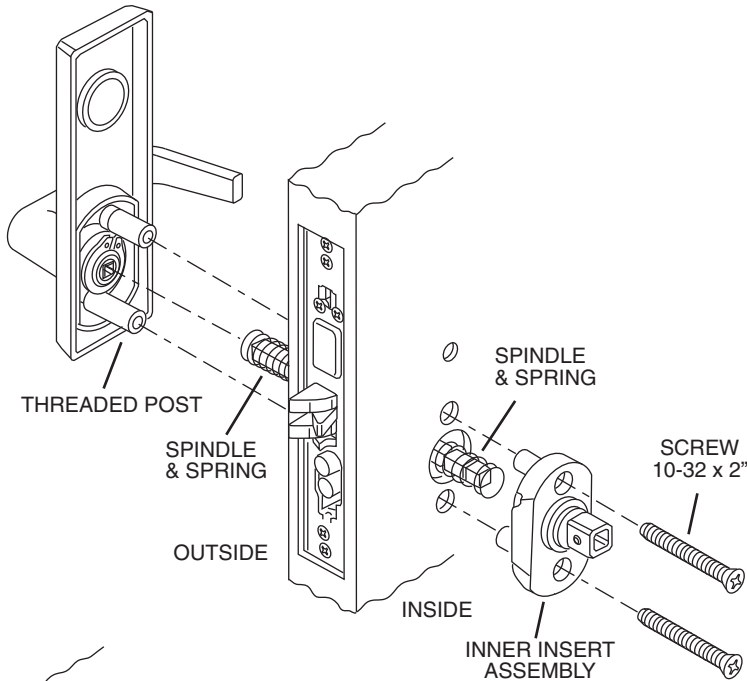
FALCON[®]

TRIM AND CYLINDER ATTACHMENT INSTRUCTIONS FOR LM SERIES LOCKS WITH ESCUTCHEON TRIM

STEP ONE:

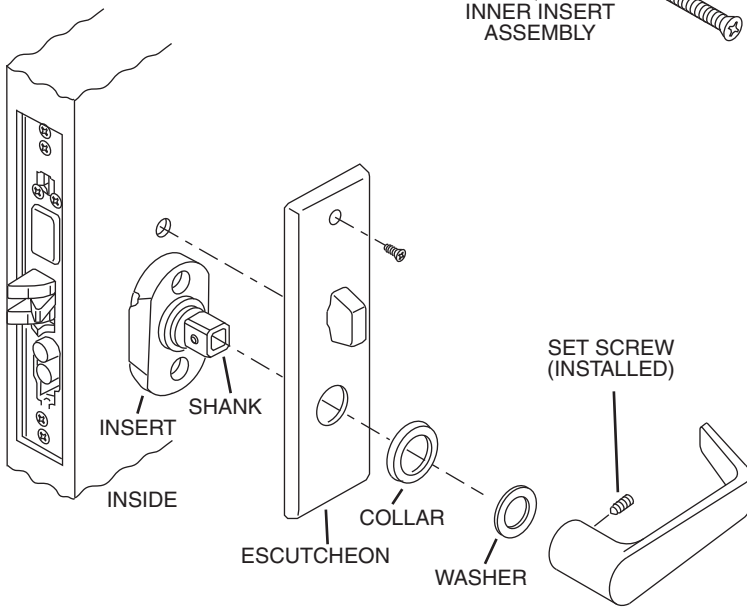
A. Insert inner and outer spindle and spring assemblies into lock hubs. Place outer trim assembly over spindle and spring assembly.

B. Place inner insert assembly over inner spindle and spring assembly. Put screws through insert and thread into posts of outer trim until tight.



STEP TWO:

Place escutcheon over insert, thread on collar, align to door and tighten collar with spanner wrench. Place washer over outside of shank. Put lever on shank and pressing toward door, tighten set screw in lever tight.



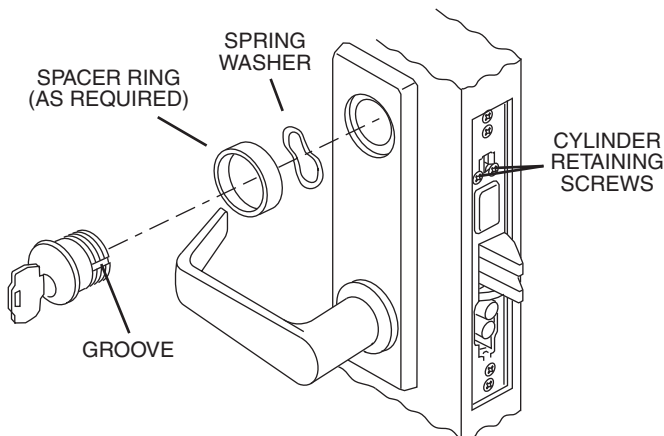
STEP THREE:

Install cylinder if required. Loosen cylinder retaining screw sufficiently to allow cylinder to be threaded into lock case. Keyway must end up on bottom of cylinder housing. Secure cylinder by tightening retaining screw into groove on side of cylinder.

NOTE: For double cylinder, same as above.

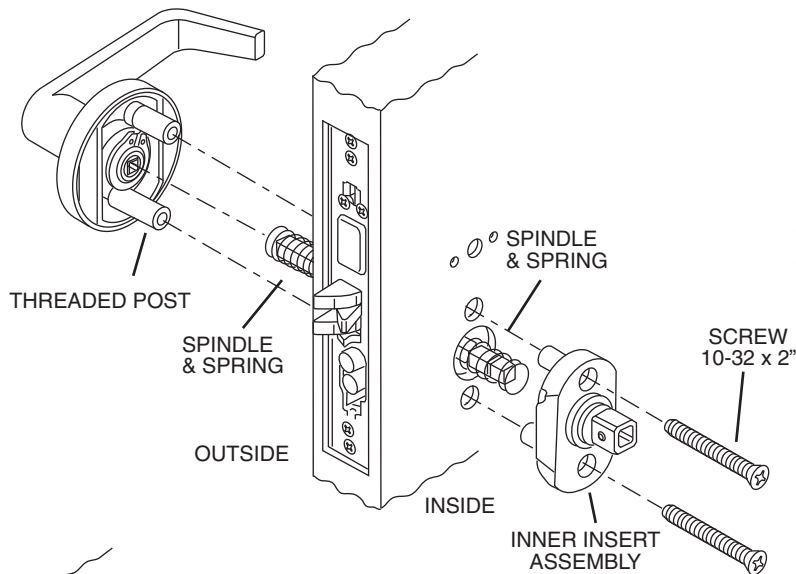
CAUTION! If first cylinder is installed too far into case, second cylinder cannot be properly installed.

Double cylinder locks have outside cylinder indicated by label attached.



FALCON®

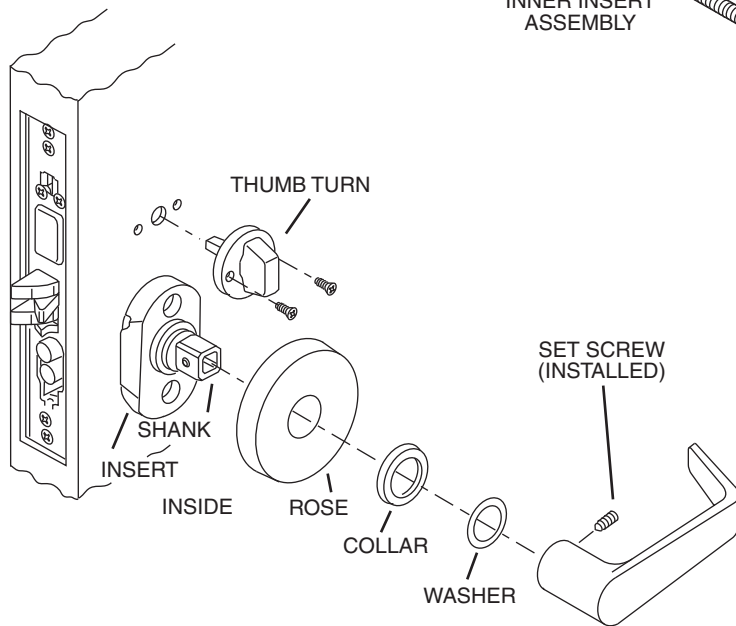
TRIM AND CYLINDER ATTACHMENT INSTRUCTIONS FOR LM SERIES LOCKS WITH SECTIONAL TRIM



STEP ONE:

A. Insert inner and outer spindle and spring assemblies into lock hubs. Place outer trim assembly over spindle and spring assembly.

B. Place inner insert assembly over inner spindle and spring assembly. Put screws through insert and thread into posts of outer trim until tight.

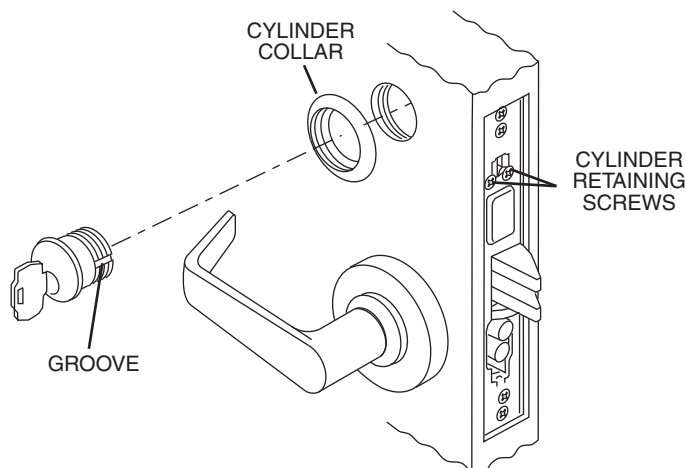


STEP TWO:

Place rose over insert, thread on collar and tighten with spanner wrench. Place washer over outside of shank. Put lever on shank and pressing toward door, tighten set screw in lever tight.

STEP THREE:

Install cylinder if required. Loosen cylinder retaining screw sufficiently to allow cylinder to be threaded into lock case. Keyway must end up on bottom of cylinder housing. Secure cylinder by tightening retaining screw into groove on side of cylinder.



NOTE: For double cylinder, same as above.

CAUTION! If first cylinder is installed too far into case, second cylinder cannot be properly installed.

Double cylinder locks have outside cylinder indicated by label attached.