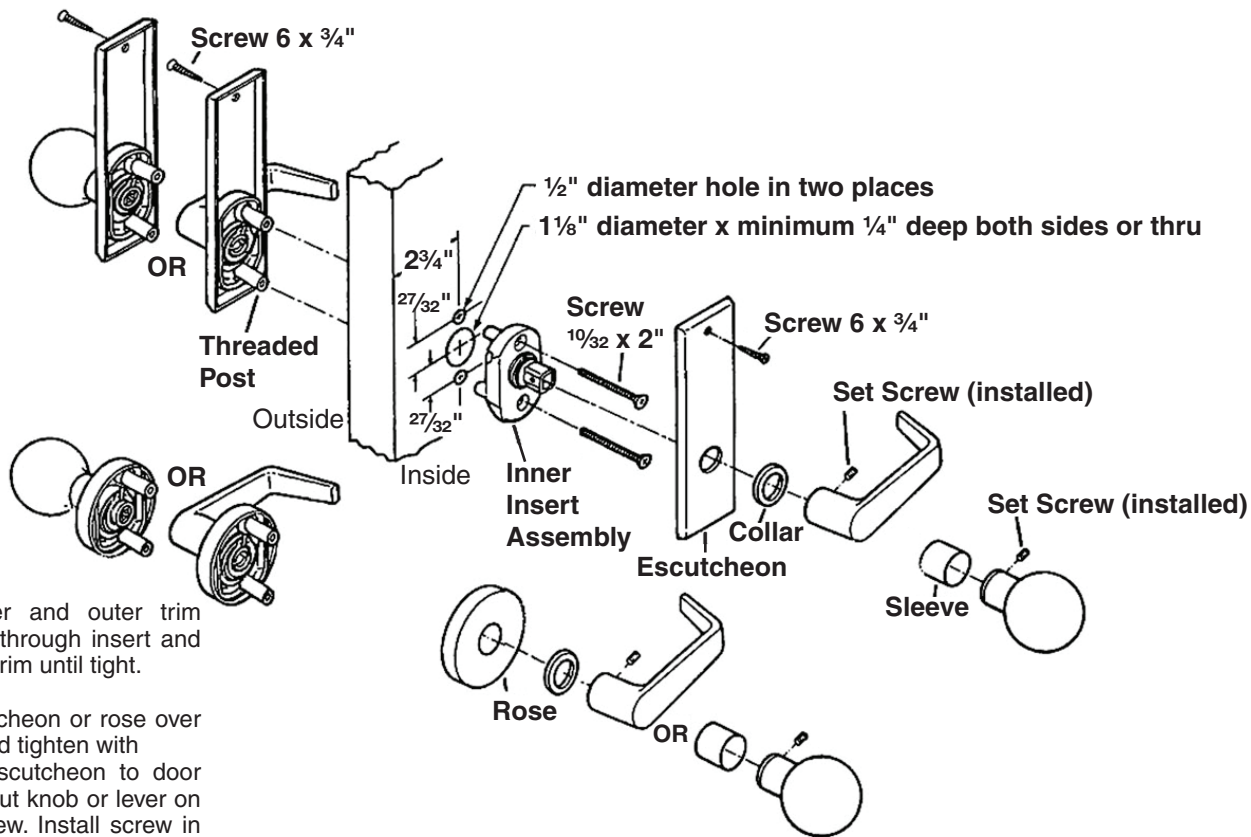


FALCON[®]

INSTRUCTIONS FOR M SERIES DOUBLE DUMMY WITH ESCUTCHEON OR SECTIONAL TRIM



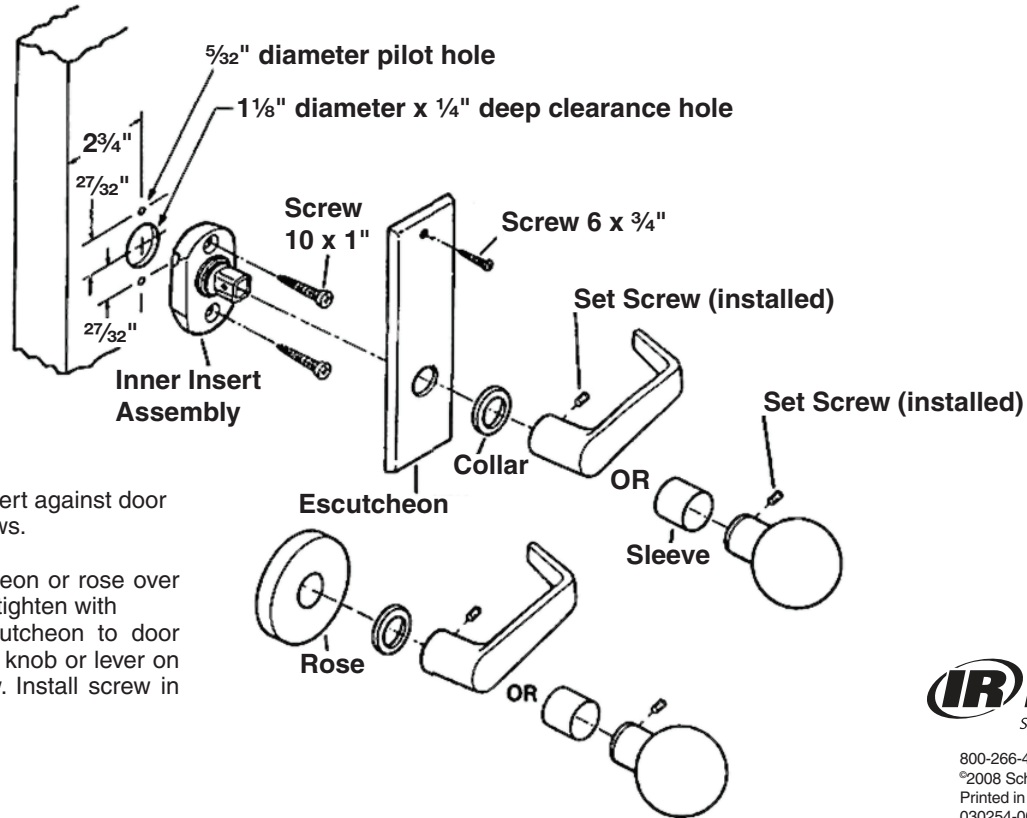
STEP ONE: Place inner and outer trim against door. Put screws through insert and thread into posts of outer trim until tight.

STEP TWO: Place escutcheon or rose over insert. Thread on collar and tighten with spanner wrench (align escutcheon to door edge before tightening.) Put knob or lever on shank and tighten set screw. Install screw in escutcheon, if used.



FALCON[®]

INSTRUCTIONS FOR M SERIES SINGLE DUMMY WITH ESCUTCHEON OR SECTIONAL TRIM



STEP ONE: Place inner insert against door and attach with 1" long screws.

STEP TWO: Place escutcheon or rose over insert. Thread on collar and tighten with spanner wrench (align escutcheon to door edge before tightening.) Put knob or lever on shank and tighten set screw. Install screw in escutcheon, if used.



800-266-4456
©2008 Schlage Lock Company
Printed in Country
030254-000-70 Rev. 04/08-b