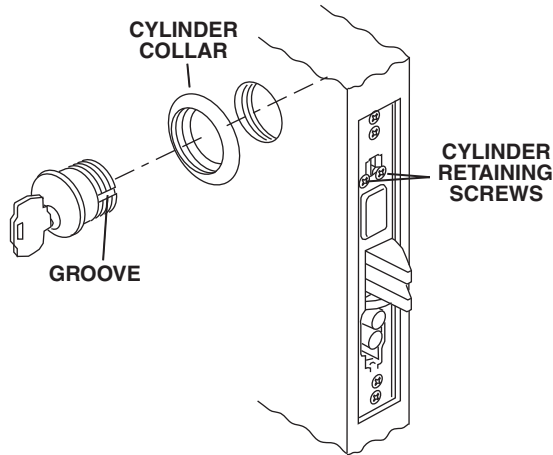
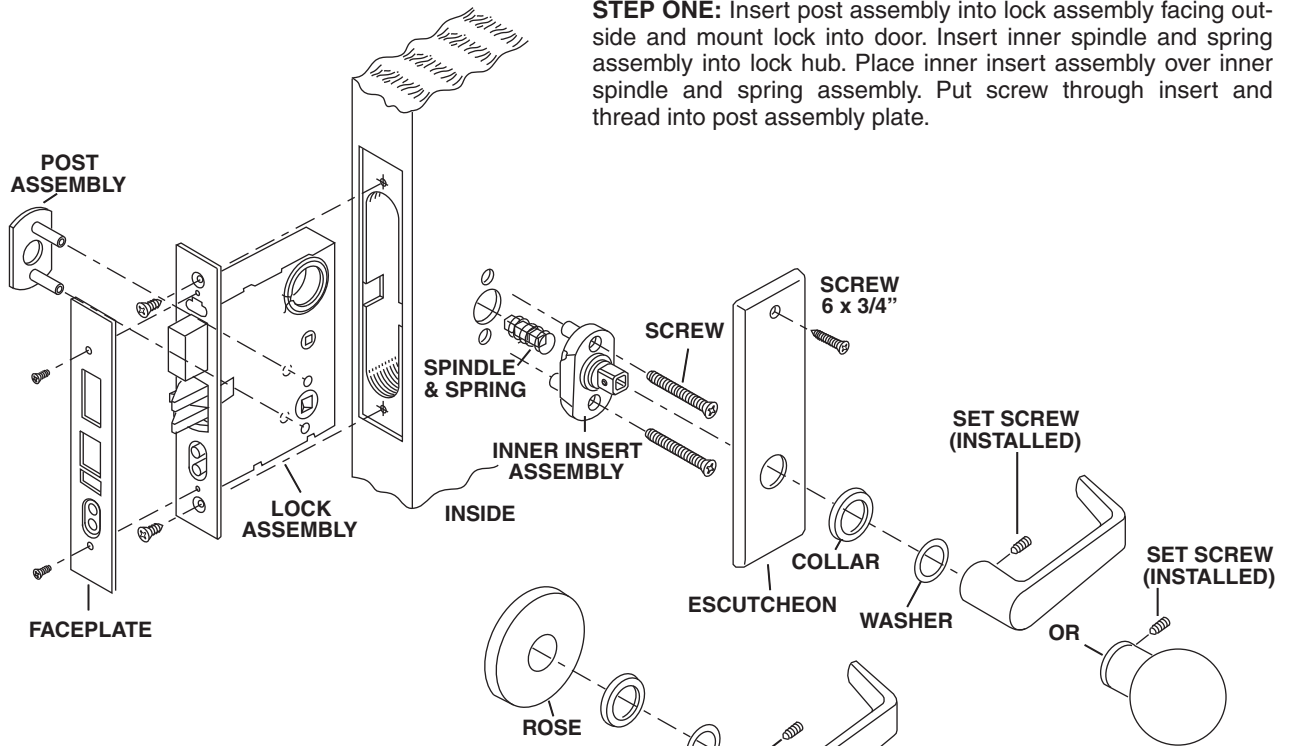




FALCON®

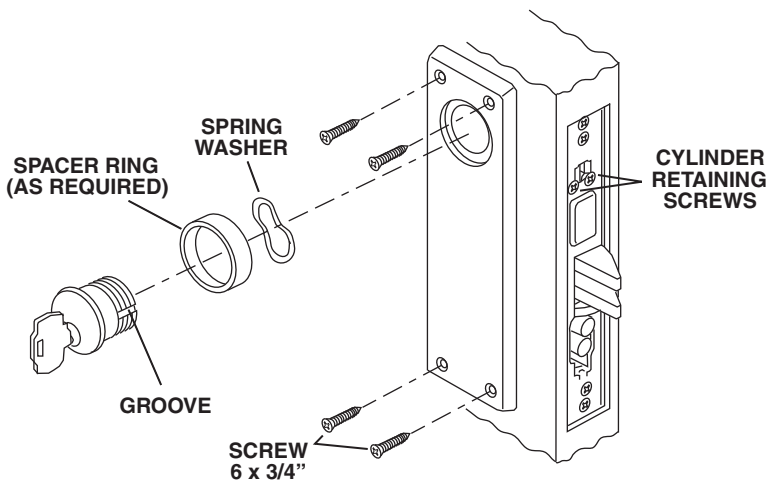
TRIM AND CYLINDER ATTACHMENT INSTRUCTIONS FOR M SERIES LOCK WITH TRIM ONE SIDE

STEP ONE: Insert post assembly into lock assembly facing outside and mount lock into door. Insert inner spindle and spring assembly into lock hub. Place inner insert assembly over inner spindle and spring assembly. Put screw through insert and thread into post assembly plate.



STEP TWO: Place escutcheon or rose over insert, thread on collar and tighten with spanner wrench (align escutcheon to door edge before tightening). Place washer over outside of shank. Put knob or lever on shank and pressing toward door, tighten set screw in knob or lever.

STEP THREE: Install cylinder if required. Loosen cylinder retaining screw sufficiently to allow cylinder to be threaded into lock case. Keyway must end up on bottom of cylinder housing. Secure cylinder by tightening retaining screw into groove on side of cylinder. If using an escutcheon, install the (4) mounting screws.



NOTE:

1. For double cylinder, same as above.
- CAUTION!** If first cylinder is installed too far into case, second cylinder cannot be properly installed.
2. Double cylinder locks have outside cylinder indicated by label on cylinder.

