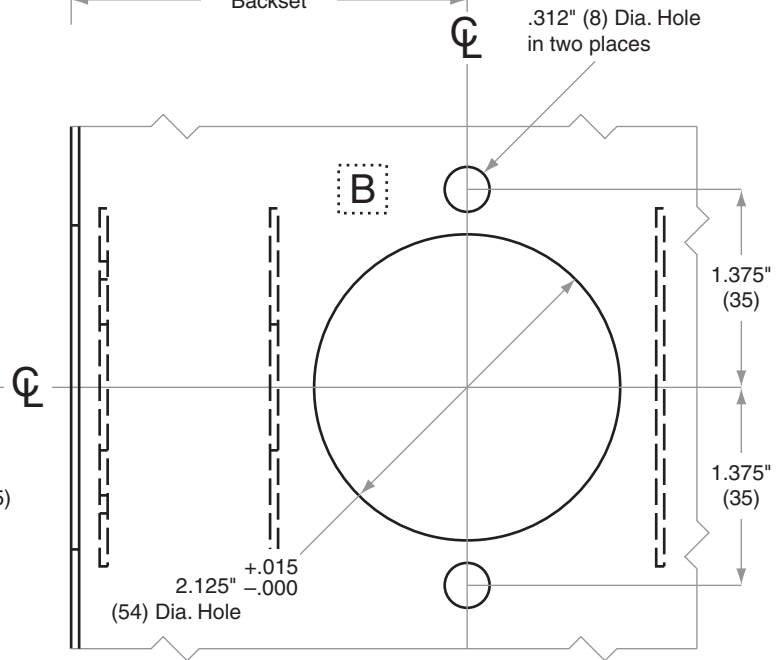
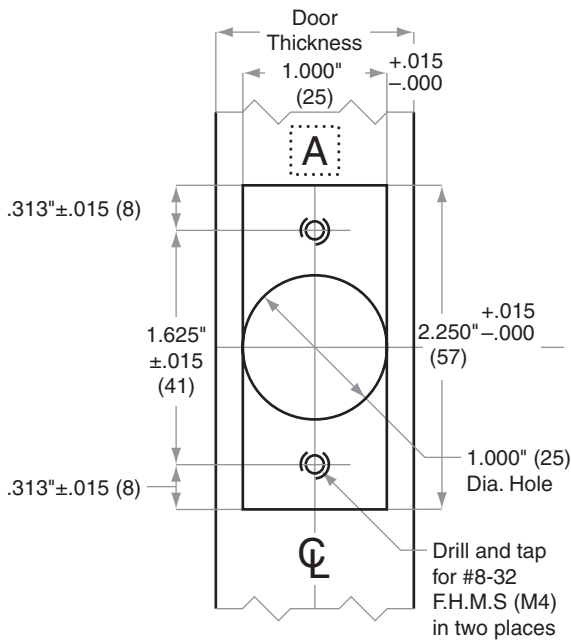
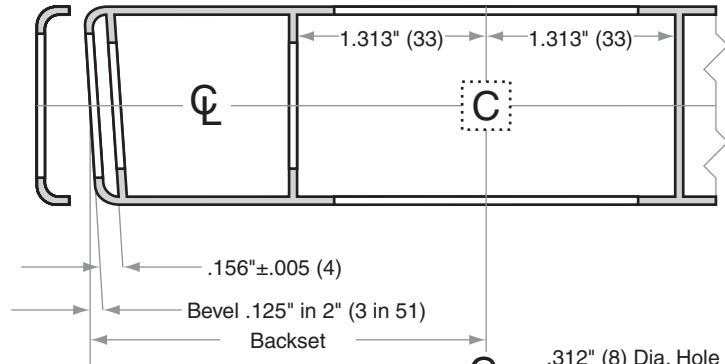
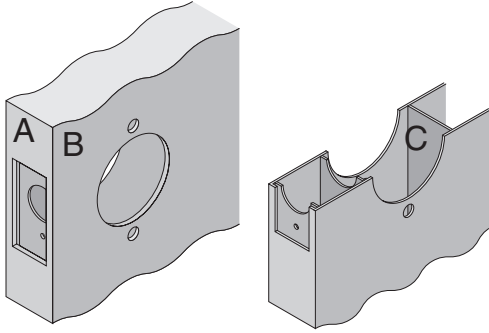


B-Series

B101-B611

- Door Type:** Metal, Flat or Beveled
- Door Thickness:** 1¾" (44mm) – 2½" (54mm)
- Faceplate:** Square Corner, 1" (25mm) wide
- Backsets:** FB101-C, 2¾" (60mm) | FB101-D, 2¾" (70mm) | FB101-F, 5" (127mm)

For metal door installations, suitable reinforcement is required to support latch in center of door and to prevent lateral movement



Dimensions shown in parentheses () are in millimeters

Job: _____

Date: _____

Door Thickness: _____

Remarks: _____

**TEMPLATE
FB101**