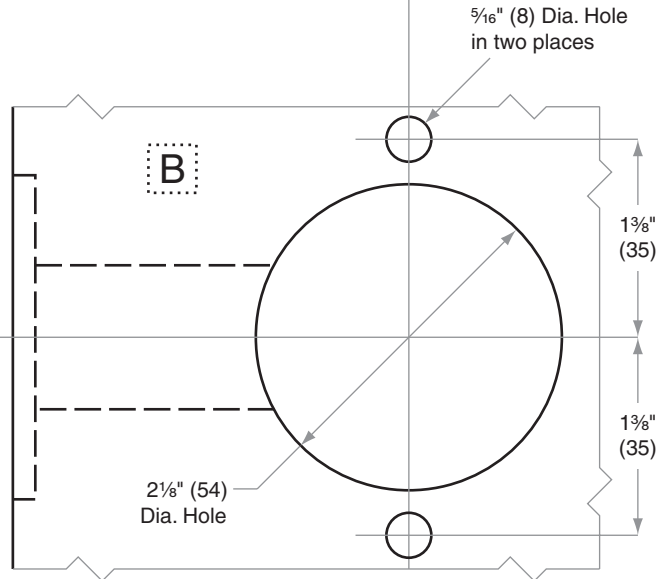
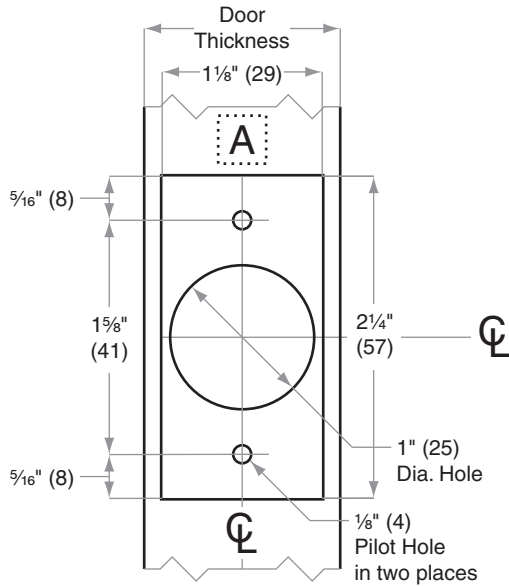
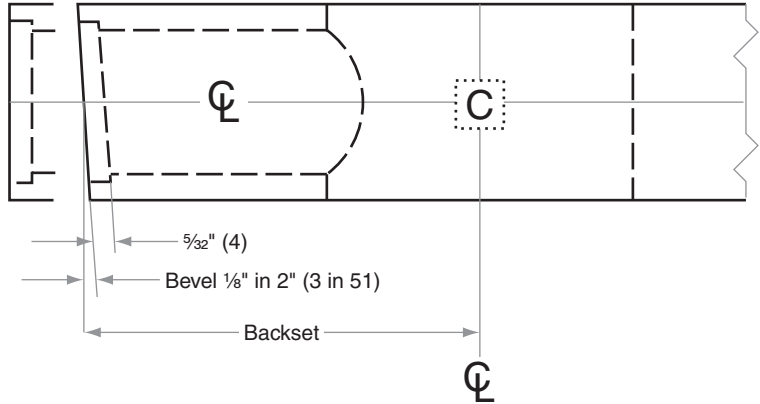
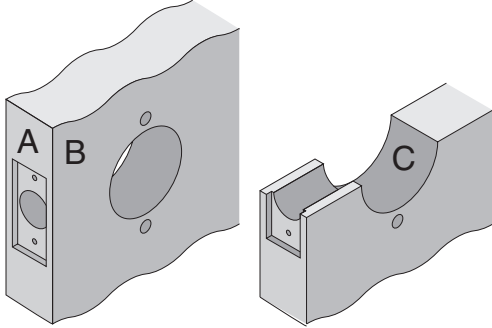


B-Series

B101-B611

- Door Type:** Wood or Composite, Flat or Beveled
- Door Thickness:** 1 $\frac{3}{4}$ " (44mm) – 2 $\frac{1}{8}$ " (54mm)
- Faceplate:** Square Corner, 1 $\frac{1}{8}$ " (29mm) wide
- Backsets:** FB103-C, 2 $\frac{3}{8}$ " (60mm) | FB103-D, 2 $\frac{3}{4}$ " (70mm) | FB103-F, 5" (127mm)



Dimensions shown in parentheses () are in millimeters

Job: _____

Date: _____

Door Thickness: _____

Remarks: _____

**TEMPLATE
FB103**