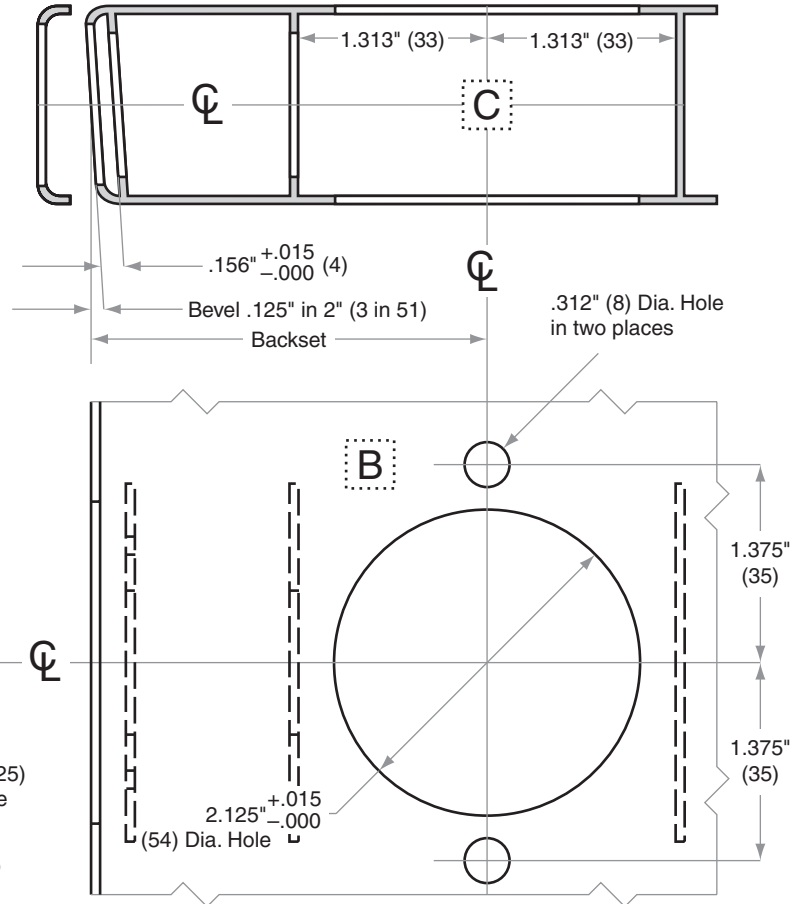
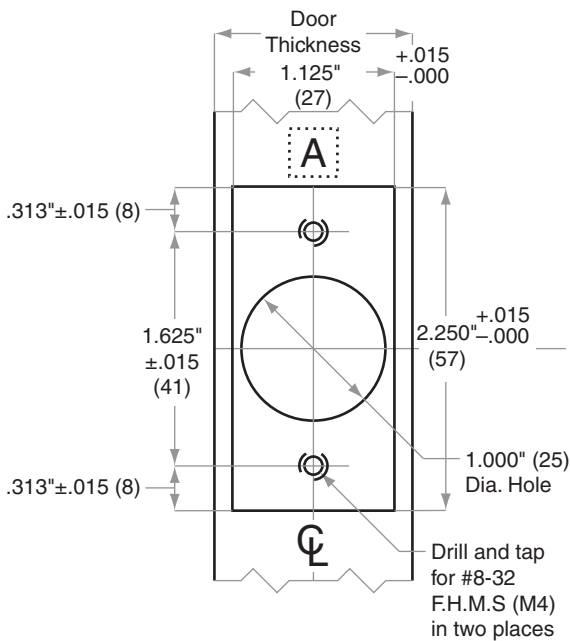
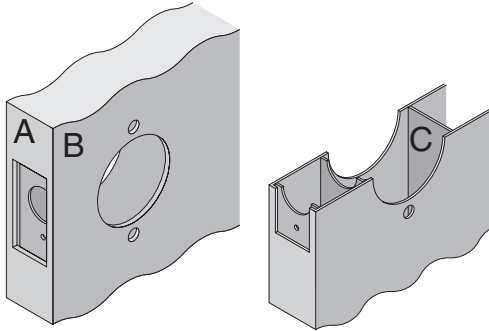


B-Series

B101-B611

Door Type:	Metal, Flat or Beveled
Door Thickness:	1¾" (44mm) – 2½" (54mm)
Faceplate:	Square Corner, 1½" (29mm) wide
Backsets:	FB104-C, 2¾" (60mm) FB104-D, 2¾" (70mm) FB104-F, 5" (127mm)

For metal door installations, suitable reinforcement is required to support latch in center of door and to prevent lateral movement



Dimensions shown in parentheses () are in millimeters

Job: _____

Date: _____

Door Thickness: _____

Remarks: _____

**TEMPLATE
FB104**