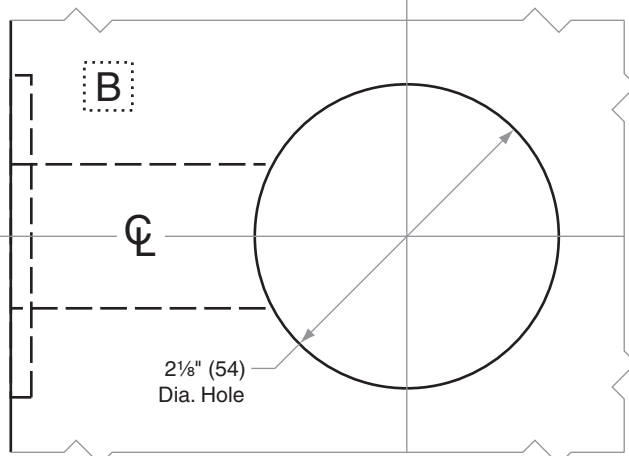
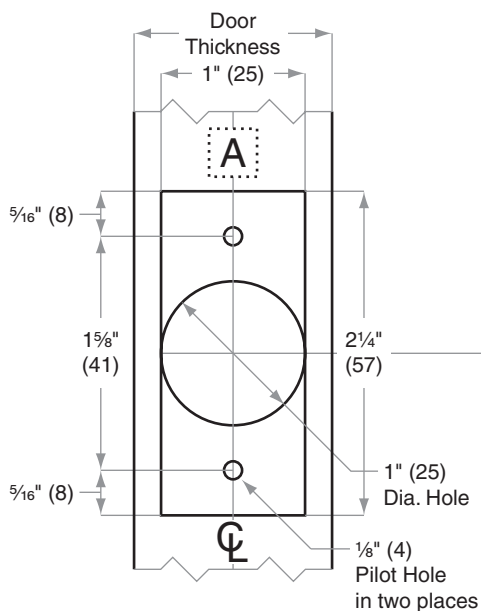
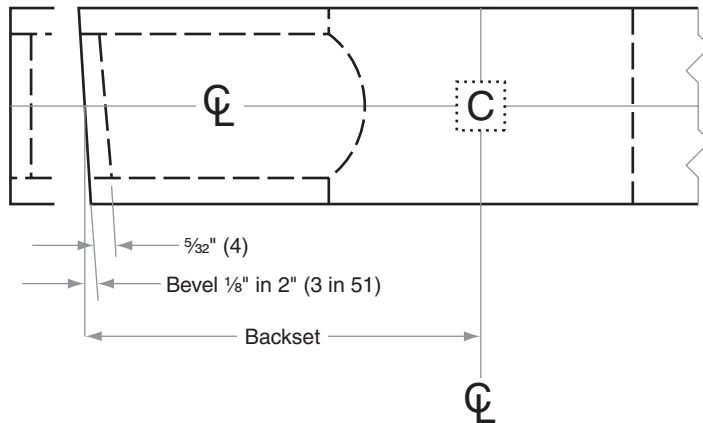
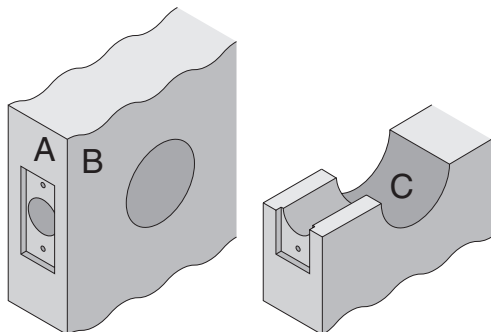


D100/200-Series

D111, D211, D121, D221, D131, D231, D141, D241

- Door Type:** Wood, Flat or Beveled
Door Thickness: 1 3/8" (35mm) – 1 7/8" (48mm)
Faceplate: Square Corner, 1" (25mm) wide
Backsets: FD100-C, 2 3/8" (60mm) | FD100-D, 2 3/4" (70mm)



Dimensions shown in parentheses () are in millimeters

Job: _____

Date: _____

Door Thickness: _____

Remarks: _____

**TEMPLATE
FD100**