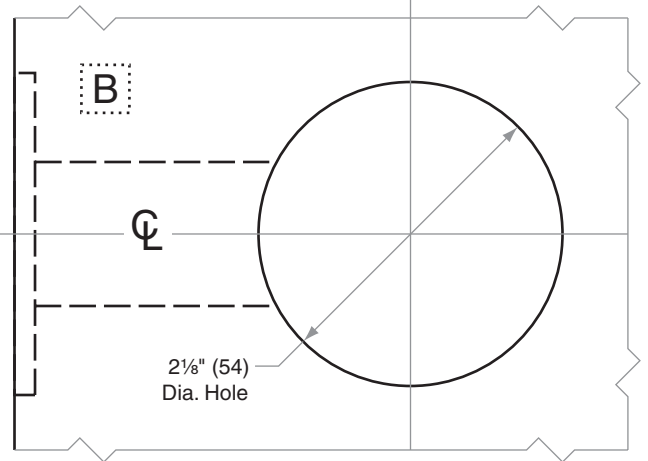
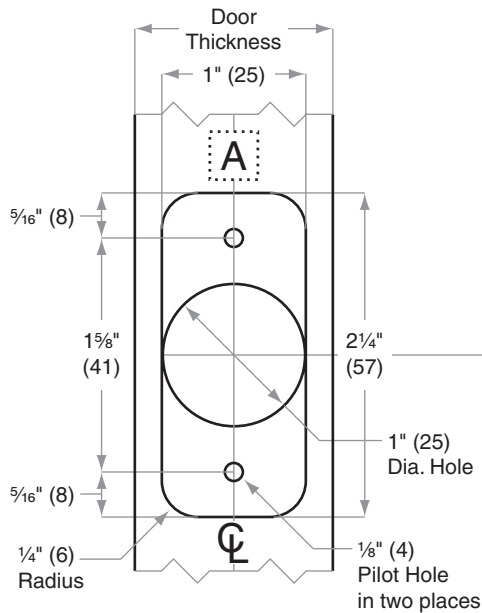
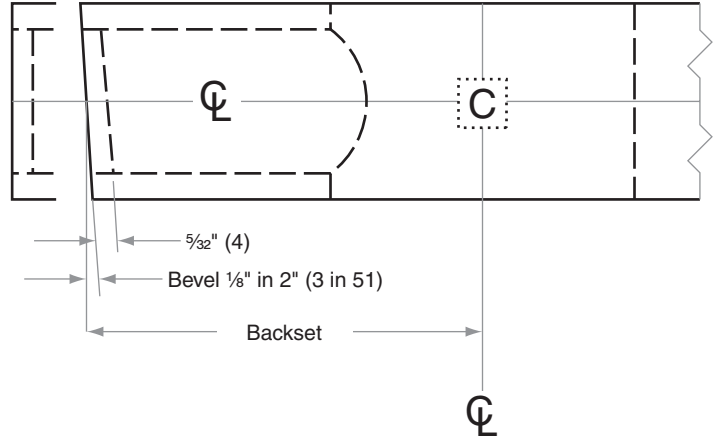
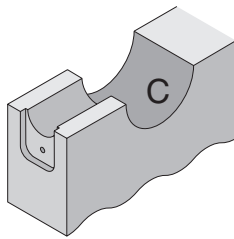
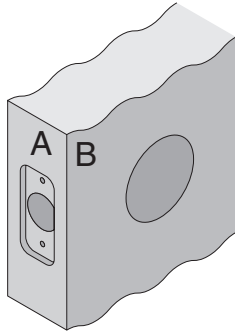


# D100/200-Series

D111, D211, D121, D221, D131, D231, D141, D241

- Door Type:** Wood or Composite, Flat or Beveled  
**Door Thickness:** 1 $\frac{3}{8}$ " (35mm) – 1 $\frac{7}{8}$ " (48mm)  
**Faceplate:** Round Corner,  $\frac{1}{4}$ " (6mm) Radius, 1" (25mm) wide  
**Backsets:** FD102-C, 2 $\frac{3}{8}$ " (60mm) | FD102-D, 2 $\frac{3}{4}$ " (70mm)



Dimensions shown in parentheses ( ) are in millimeters

**Job:** \_\_\_\_\_

**Date:** \_\_\_\_\_

**Door Thickness:** \_\_\_\_\_

**Remarks:** \_\_\_\_\_

**TEMPLATE  
FD102**