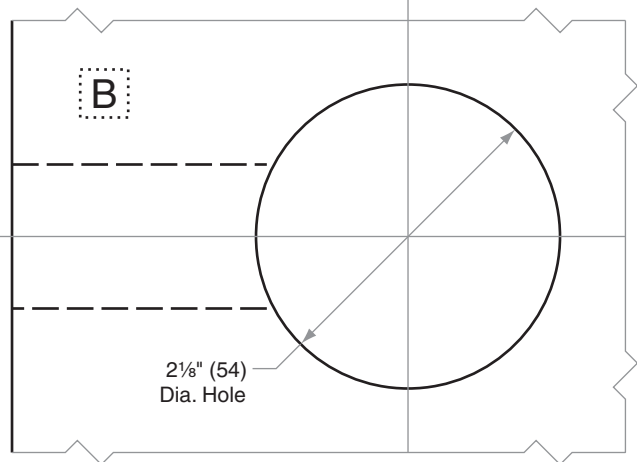
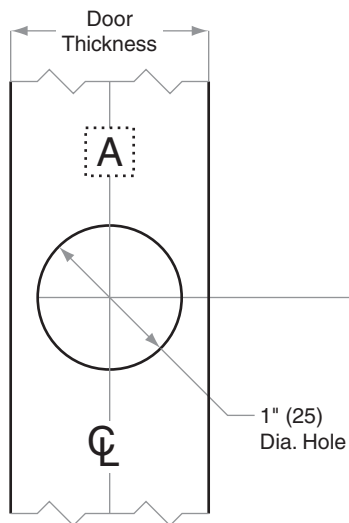
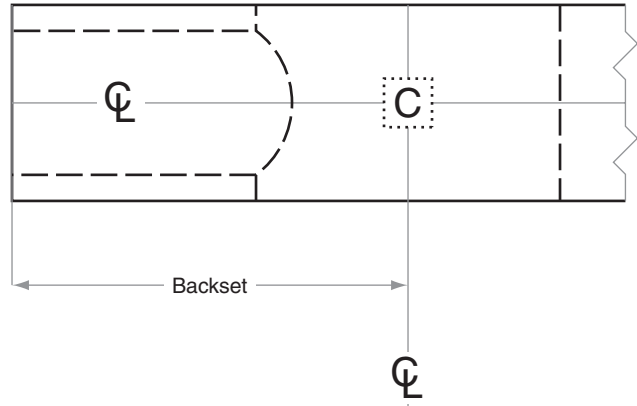
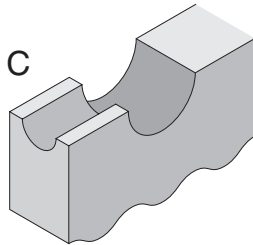
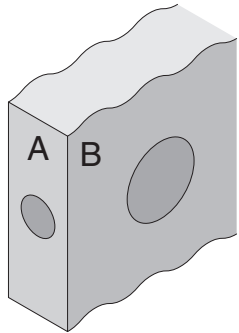


# D100/200-Series

D111, D211, D121, D221, D131, D231, D141, D241

- Door Type:** Wood or Composite, Flat  
**Door Thickness:** 1 $\frac{3}{8}$ " (35mm) – 1 $\frac{7}{8}$ " (48mm)  
**Faceplate:** Circular Drive-in  
**Backsets:** FD103-C, 2 $\frac{3}{8}$ " (60mm) | FD103-D, 2 $\frac{3}{4}$ " (70mm)



Dimensions shown in parentheses ( ) are in millimeters

**Job:** \_\_\_\_\_

**Date:** \_\_\_\_\_

**Door Thickness:** \_\_\_\_\_

**Remarks:** \_\_\_\_\_

TEMPLATE  
**FD103**