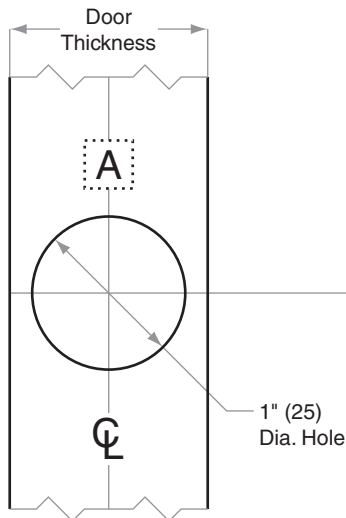
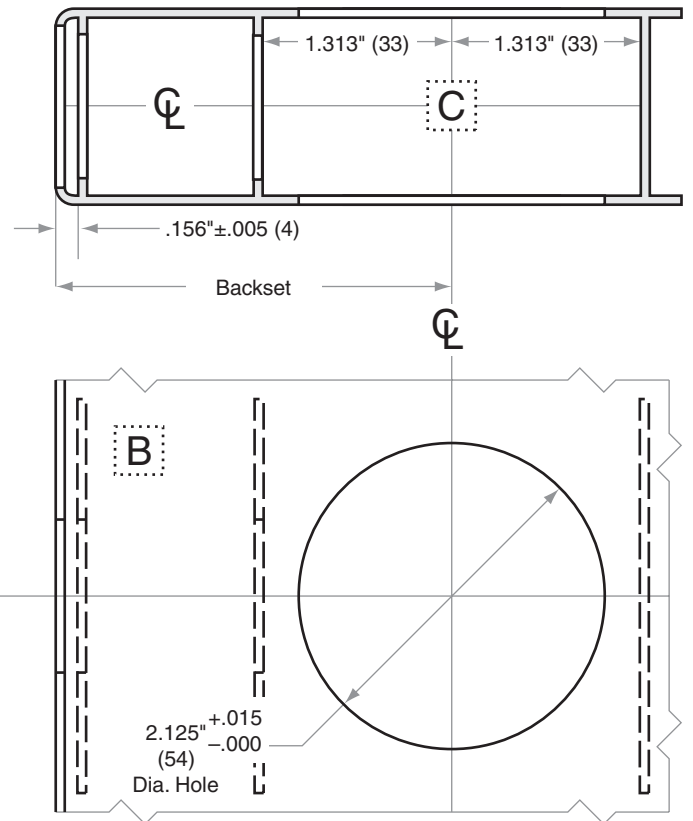
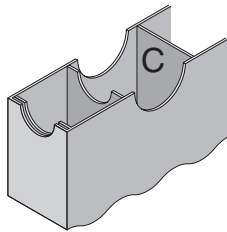
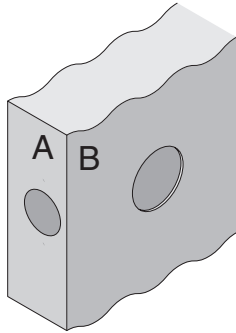


D100/200-Series

D111, D211, D121, D221, D131, D231, D141, D241

Door Type:	Metal, Flat
Door Thickness:	1 $\frac{3}{8}$ " (35mm) – 1 $\frac{7}{8}$ " (48mm)
Faceplate:	Circular Drive-In
Backsets:	FD104-C, 2 $\frac{3}{8}$ " (60mm) FD104-D, 2 $\frac{3}{4}$ " (70mm)

For metal door installations, suitable reinforcement is required to support latch in center of door and to prevent lateral movement



Dimensions shown in parentheses () are in millimeters

Job: _____

Date: _____

Door Thickness: _____

Remarks: _____

TEMPLATE
FD104