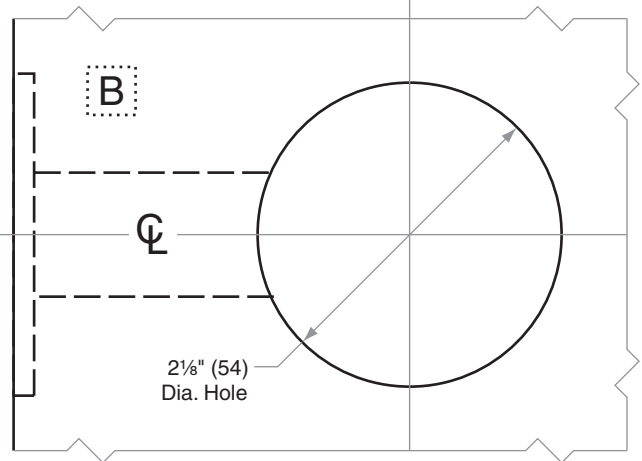
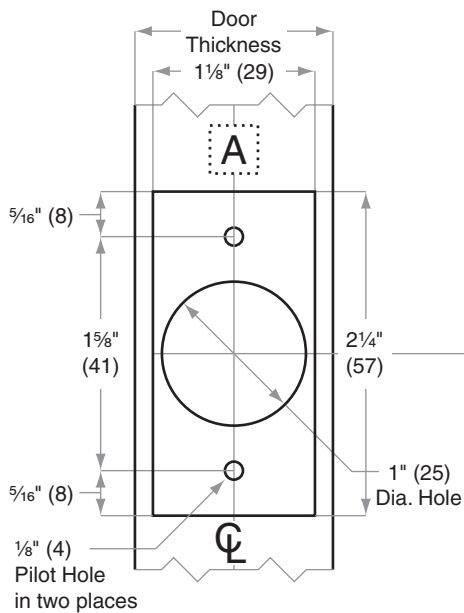
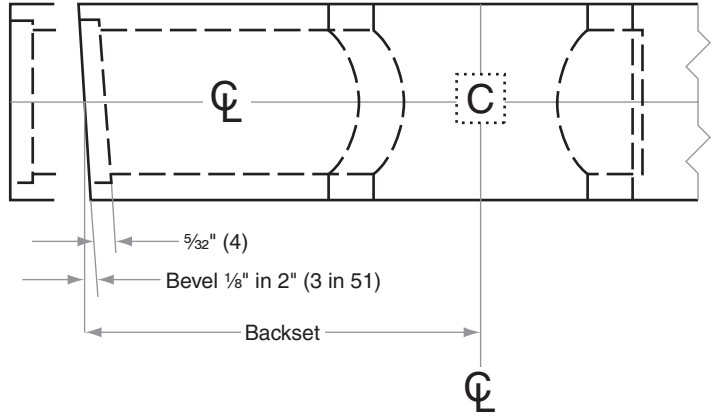
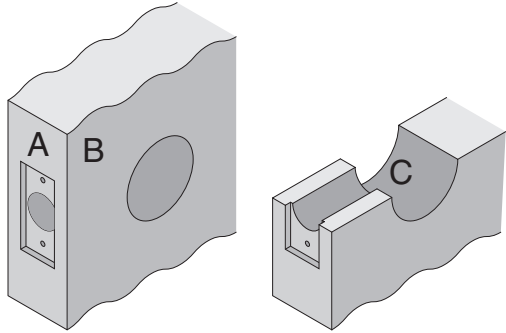


D100/200-Series

D111, D211, D121, D221, D131, D231, D141, D241

- Door Type:** Wood or Composite, Flat or Beveled
- Door Thickness:** 1 $\frac{3}{8}$ " (35mm) – 1 $\frac{7}{8}$ " (48mm)
- Faceplate:** Square Corner, 1 $\frac{1}{8}$ " (29mm) wide
- Backsets:** FD105-C, 2 $\frac{3}{8}$ " (60mm) | FD105-D, 2 $\frac{3}{4}$ " (70mm)



Dimensions shown in parentheses () are in millimeters

Job: _____

Date: _____

Door Thickness: _____

Remarks: _____

**TEMPLATE
FD105**