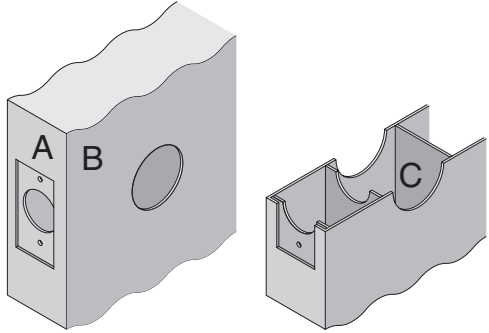


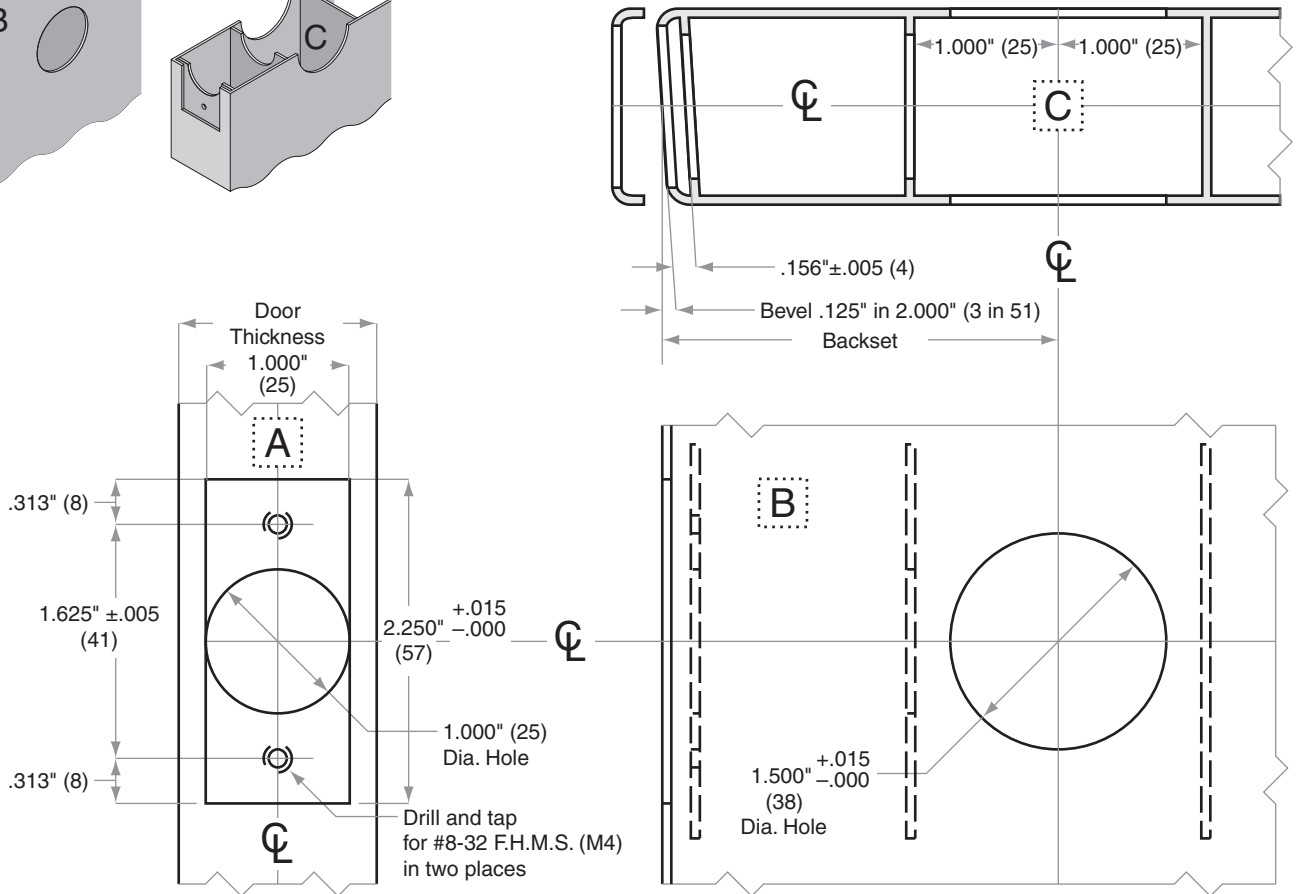
D100/200-Series

D261M, D271

Door Type:	Metal, Flat or Beveled
Door Thickness:	1 $\frac{3}{8}$ " (35mm) – 1 $\frac{7}{8}$ " (48mm)
Faceplate:	Square Corner, 1" (25mm) wide
Backsets:	FD108-C, 2 $\frac{3}{8}$ " (60mm) FD108-D, 2 $\frac{3}{4}$ " (70mm)



For metal door installations, suitable reinforcement is required to support latch in center of door and to prevent lateral movement



Dimensions shown in parentheses () are in millimeters

Job: _____

Date: _____

Door Thickness: _____

Remarks: _____

TEMPLATE
FD108