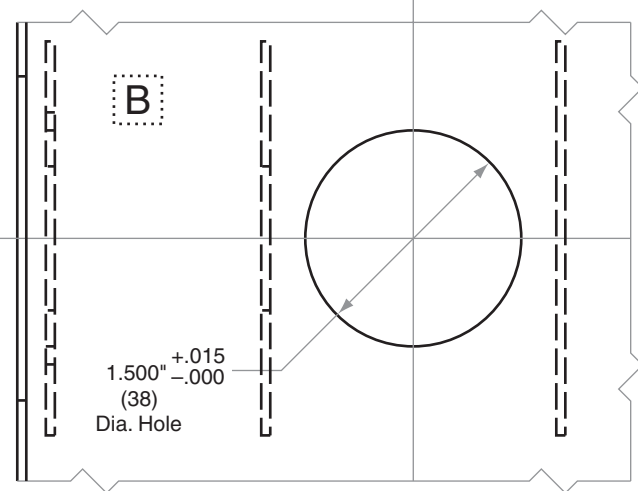
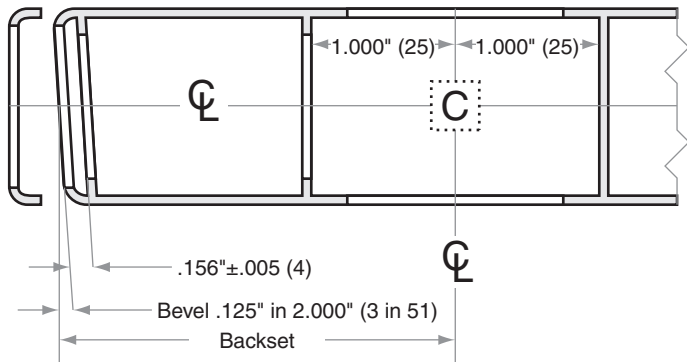
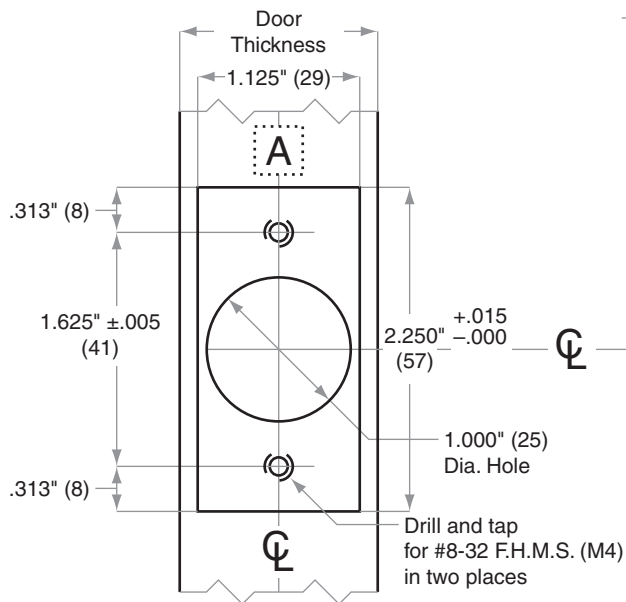
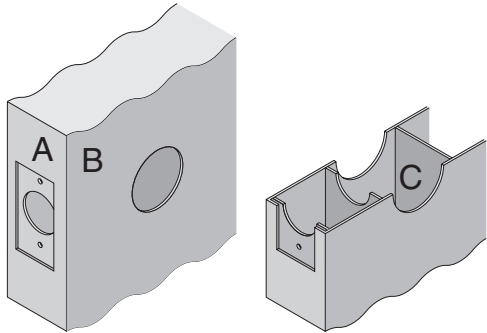


D100/200-Series

D261M, D271

- Door Type:** Metal, Flat or Beveled
- Door Thickness:** 1 $\frac{3}{8}$ " (35mm) – 1 $\frac{7}{8}$ " (48mm)
- Faceplate:** Square Corner, 1 $\frac{1}{8}$ " (25mm) wide
- Backsets:** FD113-C, 2 $\frac{3}{8}$ " (60mm) | FD113-D, 2 $\frac{3}{4}$ " (70mm)

For metal door installations, suitable reinforcement is required to support latch in center of door and to prevent lateral movement



Dimensions shown in parentheses () are in millimeters

Job: _____

Date: _____

Door Thickness: _____

Remarks: _____

TEMPLATE
FD113