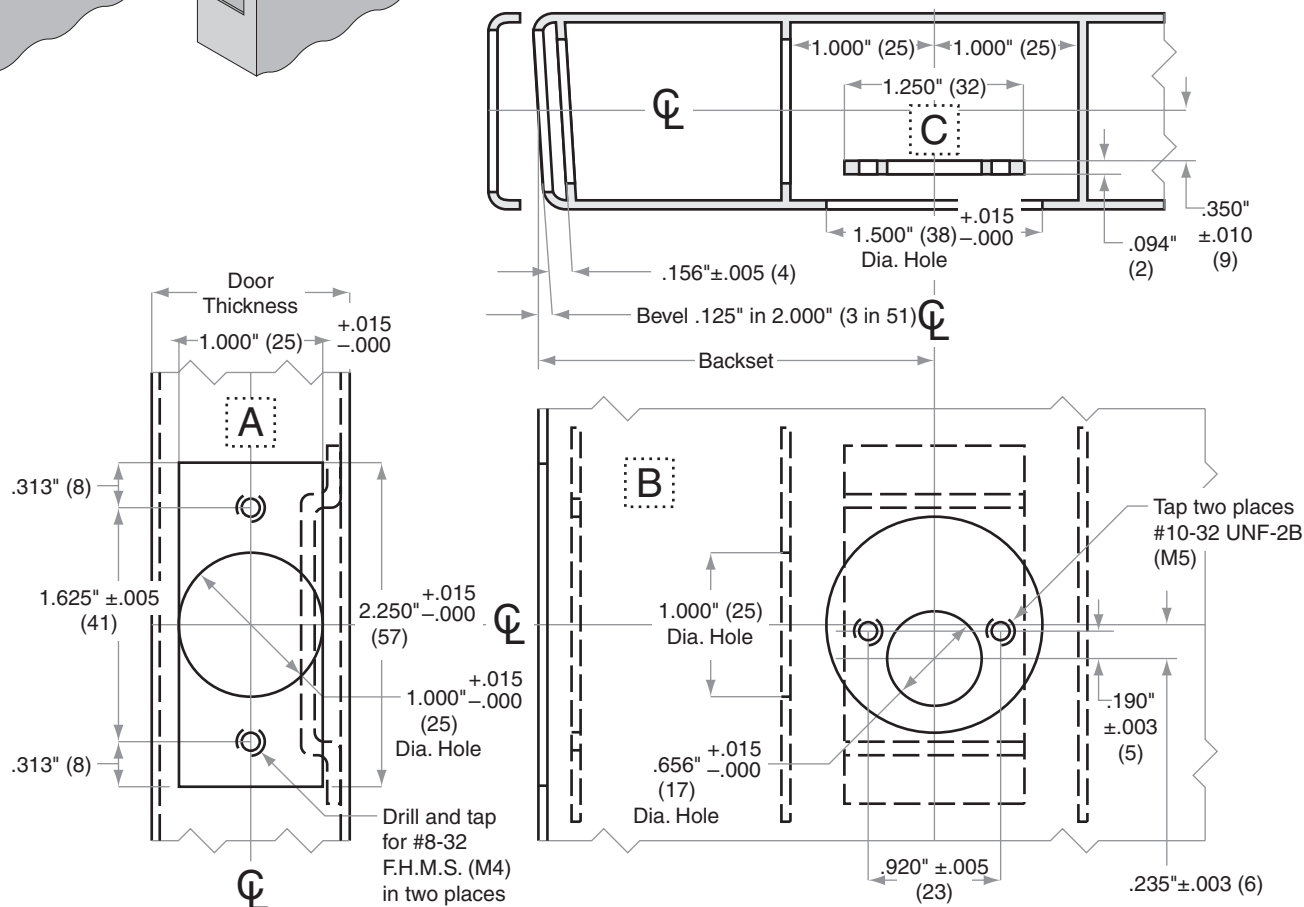
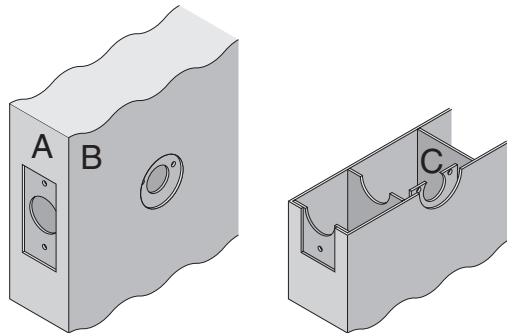


D100/200-Series

D261

- Door Type:** Metal, Flat or Beveled
- Door Thickness:** 1 3/8" (35mm) – 1 7/8" (48mm)
- Faceplate:** Square Corner, 1" (25mm) wide
- Backsets:** FD115-C, 2 3/8" (60mm) | FD115-D, 2 3/4" (70mm)

For metal door installations, suitable reinforcement is required to support latch in center of door and to prevent lateral movement



Dimensions shown in parentheses () are in millimeters

Job: _____

Date: _____

Door Thickness: _____

Remarks: _____

**TEMPLATE
FD115**