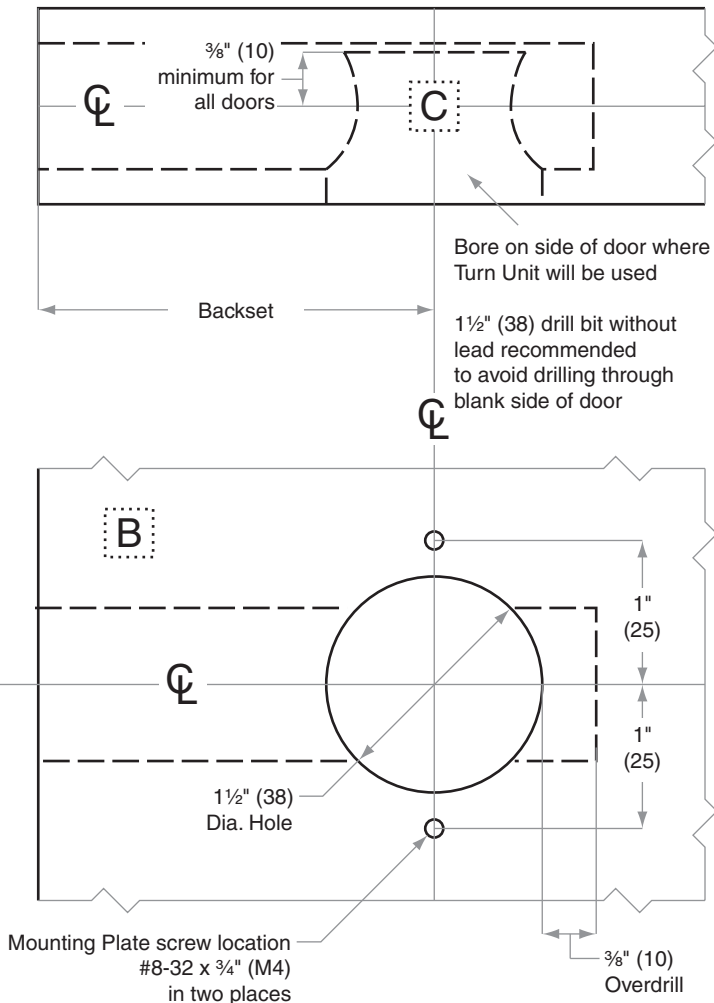
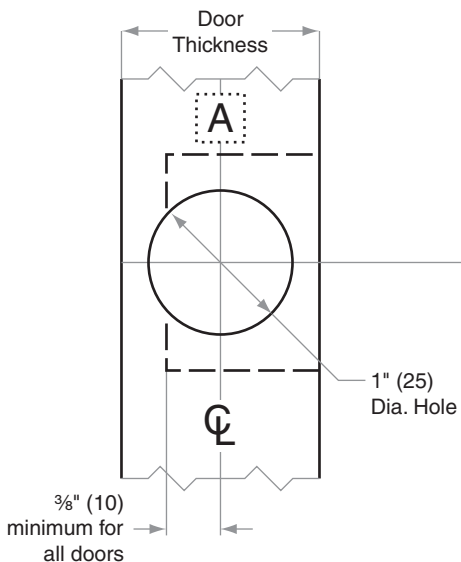
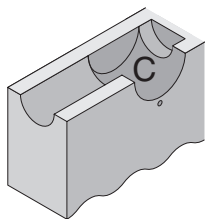
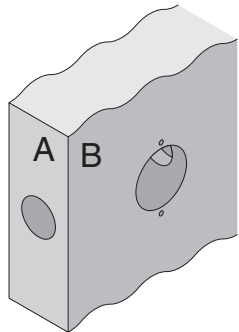


D100/200-Series

D261

- Door Type:** Wood or Composite, Flat
- Door Thickness:** 1 $\frac{3}{8}$ " (35mm) – 1 $\frac{7}{8}$ " (48mm)
- Faceplate:** Circular Drive-In
- Backsets:** FD117-C, 2 $\frac{3}{8}$ " (60mm) | FD117-D, 2 $\frac{3}{4}$ " (70mm)



Dimensions shown in parentheses () are in millimeters

Job: _____

Date: _____

Door Thickness: _____

Remarks: _____

**TEMPLATE
FD117**