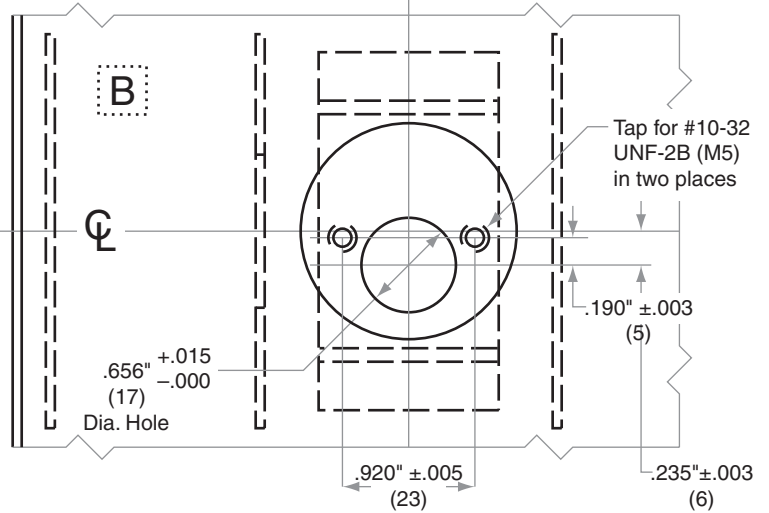
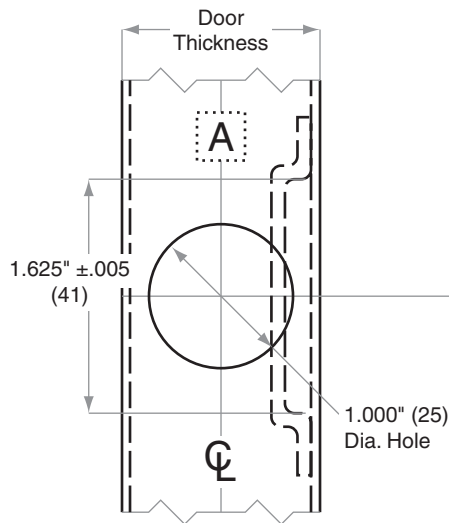
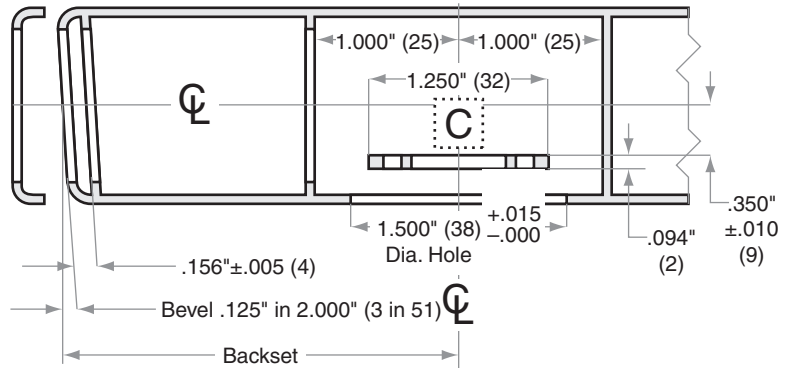
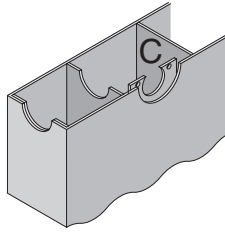
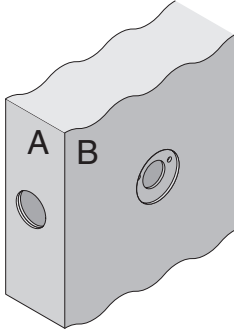


D100/200-Series

D261

Door Type:	Metal, flat
Door Thickness:	1 3/8" (35mm) – 1 7/8" (48mm)
Faceplate:	Circular Drive-In
Backsets:	FD118-C, 2 3/8" (60mm) FD118-D, 2 3/4" (70mm)

For metal door installations, suitable reinforcement is required to support latch in center of door and to prevent lateral movement



Dimensions shown in parentheses () are in millimeters

Job: _____

Date: _____

Door Thickness: _____

Remarks: _____

**TEMPLATE
FD118**