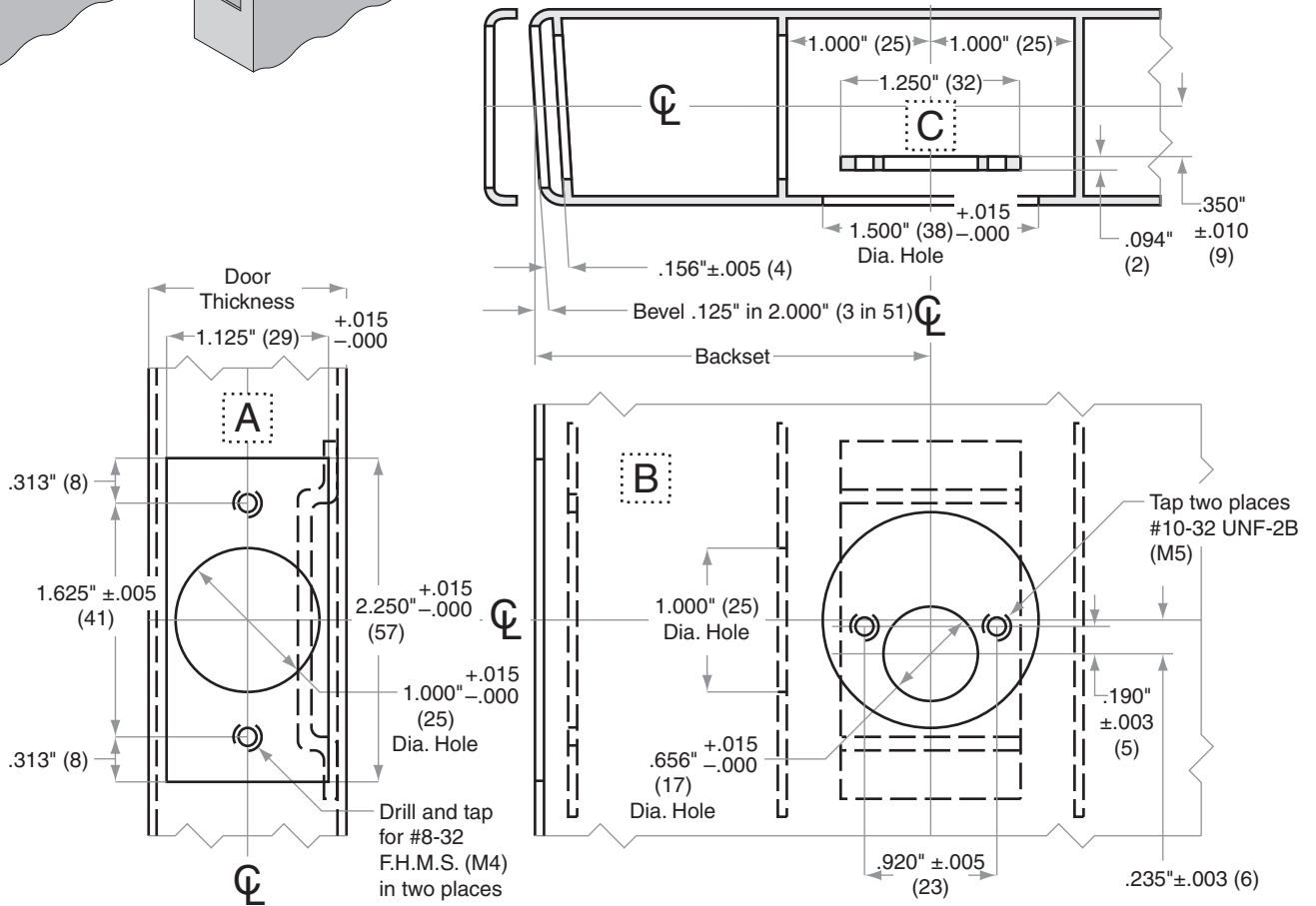
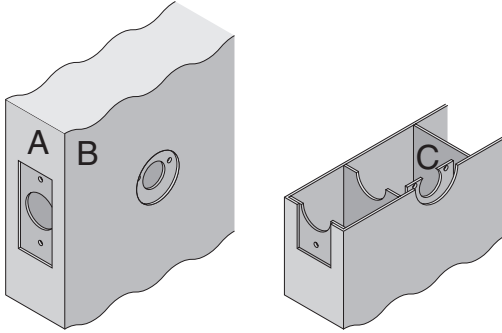


D100/200-Series

D261

Door Type:	Metal, Flat or Beveled
Door Thickness:	1 3/8" (35mm) – 1 7/8" (48mm)
Faceplate:	Square Corner, 1 1/8" (29mm) wide
Backsets:	FD120-C, 2 3/8" (60mm) FD120-D, 2 3/4" (70mm)

For metal door installations, suitable reinforcement is required to support latch in center of door and to prevent lateral movement



Dimensions shown in parentheses () are in millimeters

Job: _____

Date: _____

Door Thickness: _____

Remarks: _____

**TEMPLATE
FD120**