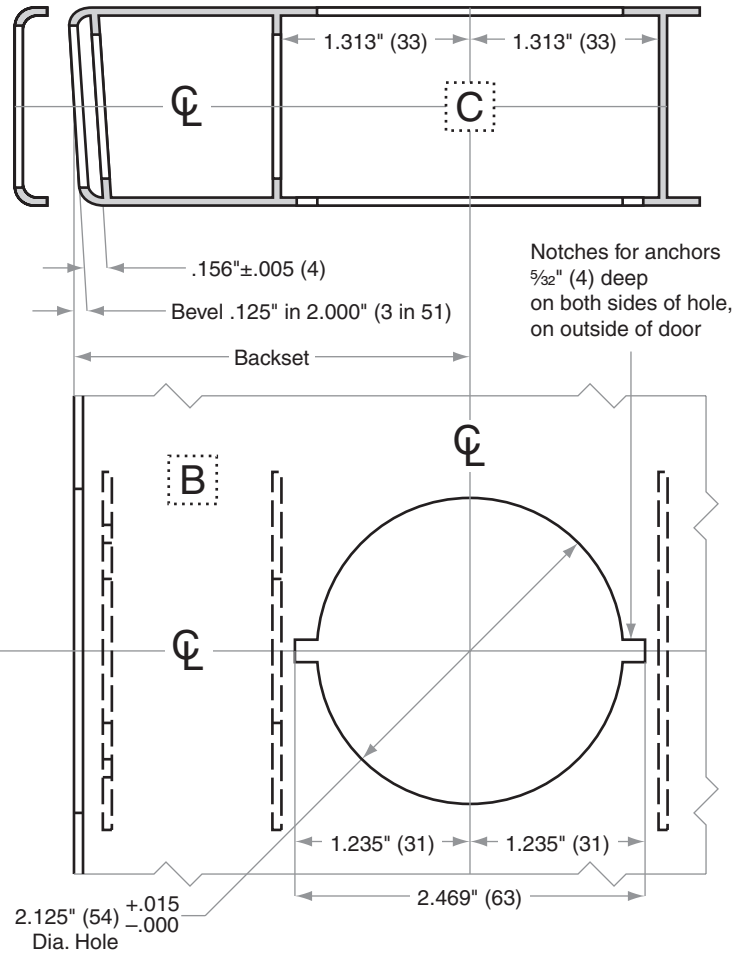
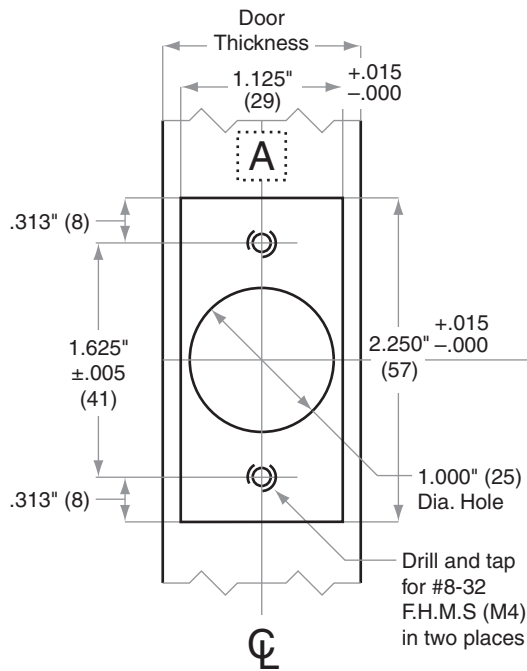
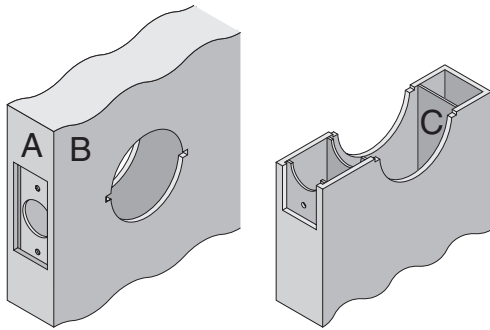


Y-Series

Y101-Y581

Door Type:	Metal, Flat or Beveled
Door Thickness:	1 $\frac{3}{8}$ " (35mm) – 1 $\frac{3}{4}$ " (44mm)
Faceplate:	Square Corner, 1 $\frac{1}{8}$ " (29mm) wide
Backsets:	FY101-C, 2 $\frac{3}{8}$ " (60mm) FY101-D, 2 $\frac{3}{4}$ " (70mm)

For metal door installations, suitable reinforcement is required to support latch in center of door and to prevent lateral movement



Dimensions shown in parentheses () are in millimeters

Job: _____

Date: _____

Door Thickness: _____

Remarks: _____

**TEMPLATE
FY101**