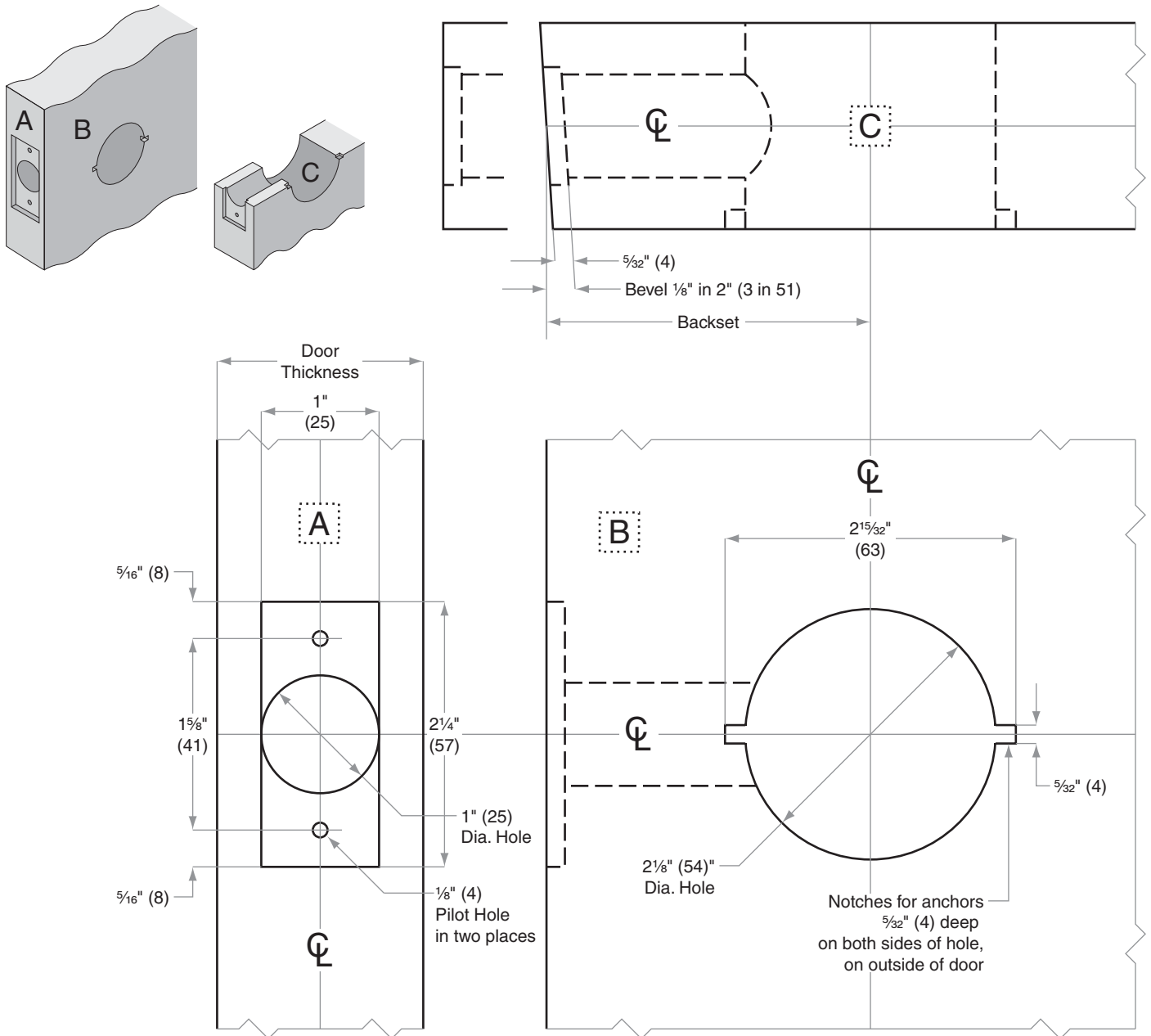


# Y-Series

## Y101-Y581

Door Type: Wood or Composite, Flat or Beveled  
 Door Thickness:  $1\frac{3}{8}$ " (35 mm) –  $1\frac{3}{4}$ " (44 mm)  
 Faceplate: Square Corner, 1" (25 mm) wide  
 Backsets: FY102-C,  $2\frac{3}{8}$ " (60 mm) | FY102-D,  $2\frac{3}{4}$ " (70 mm)



Dimensions shown in parentheses ( ) are in millimeters

Job: \_\_\_\_\_ **TEMPLATE**

Date: \_\_\_\_\_

Door Thickness: \_\_\_\_\_ **FY102**

Remarks: \_\_\_\_\_