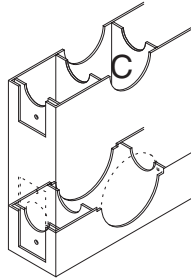
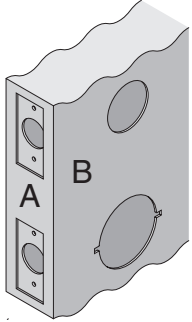


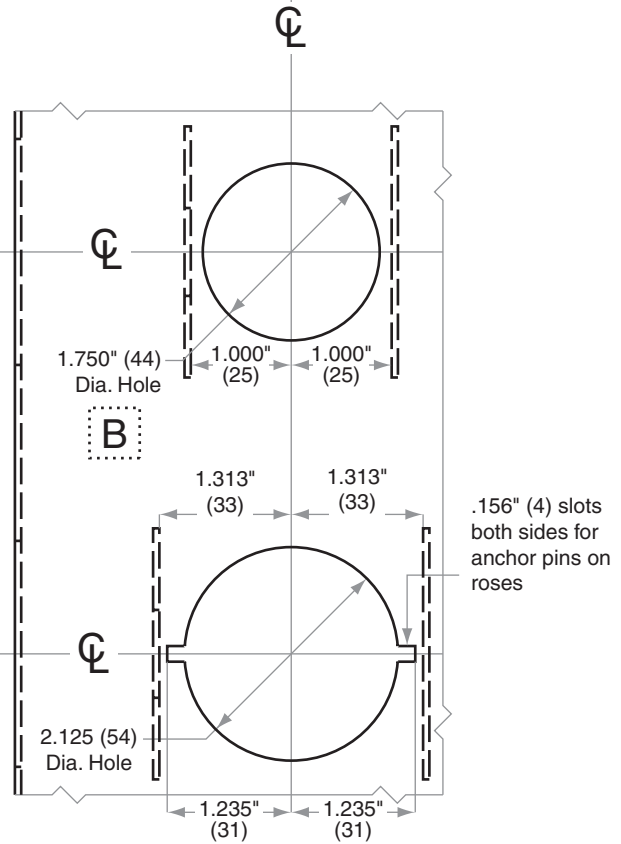
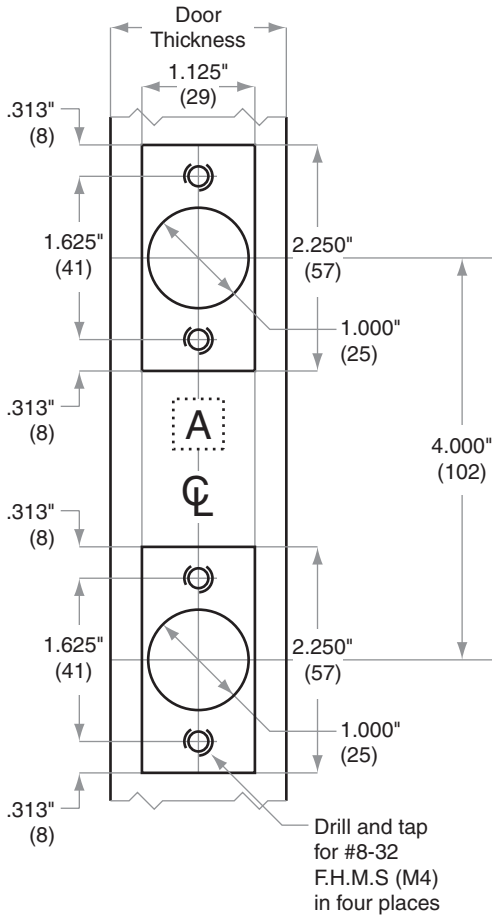
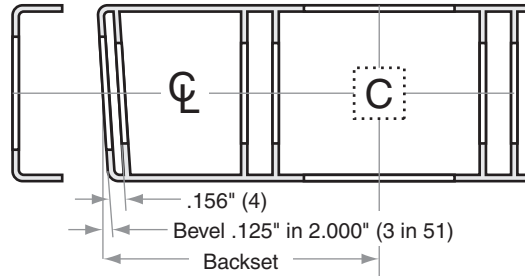
# H-Series

## H101-H511

- Door Type:** Metal, Flat or Beveled
- Door Thickness:** 1 3/8" (35mm) – 2" (51mm)
- Faceplate:** Square Corner, 1 1/8" (29mm) wide
- Backsets:** FH101-C, 2 3/8" (60mm) | FH101-D, 2 3/4" (70mm)



For metal door installations, suitable reinforcement is required to support latch in center of door to prevent lateral movement



Dimensions shown in parentheses ( ) are in millimeters

**Job:** \_\_\_\_\_

**Date:** \_\_\_\_\_

**Door Thickness:** \_\_\_\_\_

**Remarks:** \_\_\_\_\_

**TEMPLATE  
FH101**